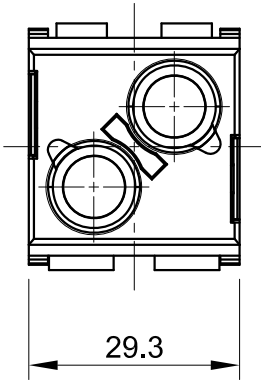
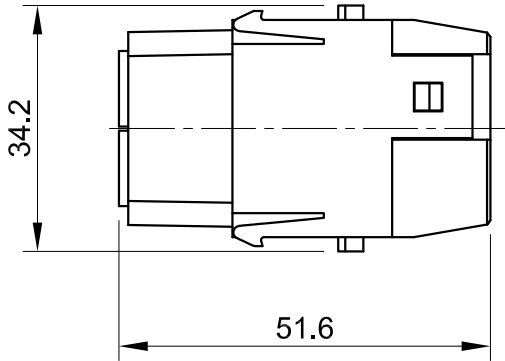
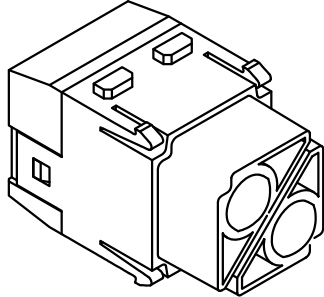




1	2	3	4	5	6	
A						A
B	<p>Technical data:</p> <ul style="list-style-type: none"> - No. of contact: 2 - Termination method: Axial screw termination - Gender: Female - Conductor cross-section: 16 ... 35 mm² - Rated current: 100A - Rated voltage: 1000V - Rated impulse voltage: 8kV - Pollution degree: 3 - Rated voltage acc.to UL: 600V - Insulation resistance: $\geq 10^{10}\Omega$ - Contact resistance: $\leq 0.3m\Omega$ - Stripping length: 12 ... 14mm - Tightening torque: 6 ... 8Nm - Limiting temperature: -40 ... +125°C - Material(insert): Polycarbonate - Color(insert): RAL 7032(pebble grey) - Material(contacts): Copper alloy - Surface(contacts): Silver plated - Mating cycles: ≥ 500 - Material flammability class acc. to UL94: V-0 - RoHS: Compliant - Specifications: IEC61984, EN60664-1 		<p>技术数据:</p> <ul style="list-style-type: none"> - 针数: 2 - 接线方式: 轴向螺钉连接 - 公母类型: 母头 - 导体截面积: 16 ... 35 mm² - 额定电流: 100A - 额定电压: 1000V - 额定脉冲电压: 8kV - 污染等级: 3 - 额定电压符合UL: 600V - 绝缘阻抗: $\geq 10^{10}\Omega$ - 接触电阻: $\leq 0.3m\Omega$ - 剥线长度: 12 ... 14mm - 拧紧力矩: 6 ... 8Nm - 极限温度: -40 ... +125°C - 材料(插芯): 聚碳酸酯 - 颜色(插芯): RAL 7032 (卵石灰) - 材料(插针): 铜合金 - 表面(插针): 镀银 - 插拔次数: ≥ 500 - 材料阻燃性等级符合UL94: V-0 - RoHS: 符合豁免标准 - 规格: IEC61984, EN60664-1 			B
C			C			
D	 All Dimensions in mm Original Size DIN A4		Date 2022-4-19	Drawing No. TC5291540	Rev. A00	Scale 1:1
 InKonn (Suzhou) Electric Technology Co.,Ltd.		Part No. 10 38 002 1201	Created by Shuxu Huang	Checked by Yiyi Luo	Page 1/1	
Type Name I2M100-002.2-F		D				
1	2	3	4	5	6	